

High Speed Closed Center Hydraulic Cylinder



Note: Proximity sensor mounting provision on request only

Closed Centre

This model is improved version of previous model HCHS. Cylinder Body and Distributor are made of Aluminium alloy. Compact design reduces the weight on the machine spindle and maintains outstanding stability during high-speed operation. It is ideal for high-speed CNC chucking lathes. It is also suitable for Front or Rear mounting.

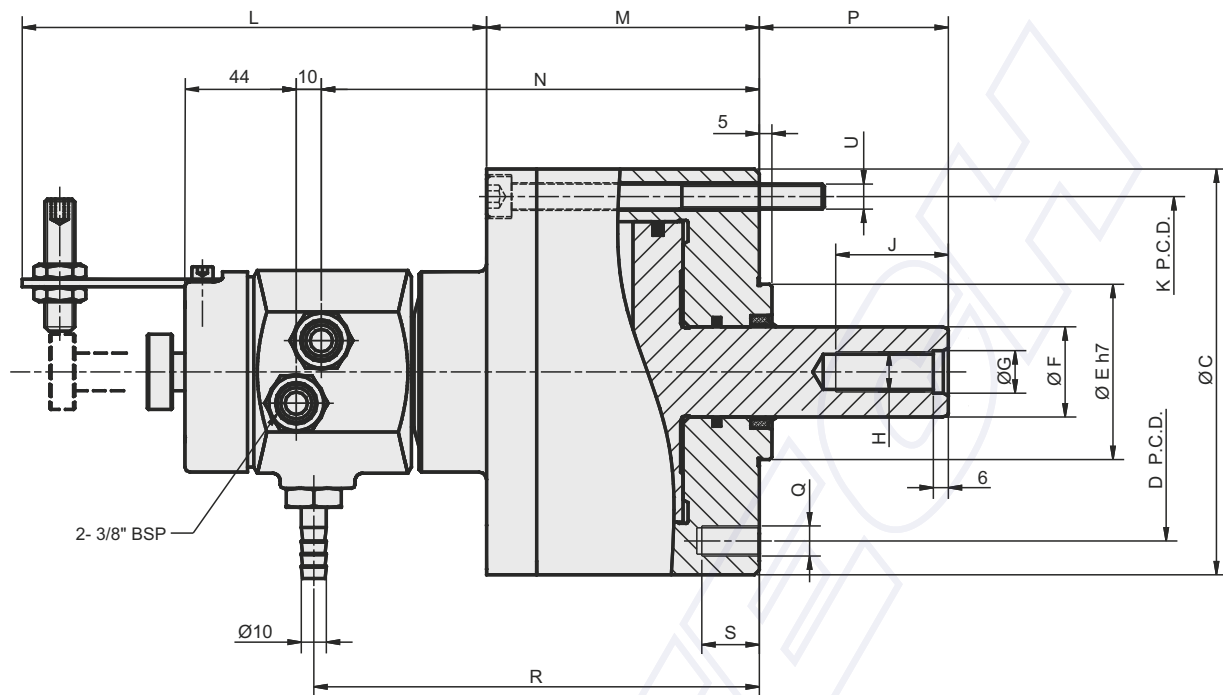
The oil supply system in the distributor housing allows a little oil leak out, to ensure continuous lubrication of the bearings and avoid heat generation.

To ensure higher operational safety, provision to fit proximity switches can be provided as an option. These cylinders can perform with oil pressure ranging from 3kgs per cm² to 40kgs per cm².

Cylinders with non-return valves can also be offered on request.



High Speed Closed Center Hydraulic Cylinder



Note: Proximity sensor mounting provision on request only

Dimensions

Model	HCHSA 80	HCHSA 90	HCHSA 105	HCHSA 120	HCHSA 160	HCHSA 200	HCHSA 250
PISTON DIA A	80	90	105	120	160	200	250
STROKE B	32	32	32	32	35	35	45
C	132	132	152	162	202	242	292
D	95	102	120	95/135	145	170	170
E	80	80	80	70	95	125	125
F (h7)	30	36	36	36	36	50	50
G (H8)	17	17	17	17	25	25	25
H	M16	M16	M16	M16	M24	M30	M30
J	45	45	45	45	45	60	60
K	110	110	130	140	180	220	270
L	186	186	186	186	186	186	196
M	105	105	105	109	113	113	123
N	171	171	171	175	179	179	190
P (Max)	44	44	45	75.5	87	78	78
P (Min)	12	12	13	43.5	52	43	33
Q	4 x M8	4 x M8	6 x M12	4 x M12/6xM12	4 x M16	6 x M16	6 x M16
R	172.5	172.5	172.5	178	182	182	192
S	20	20	20	20	22	22	22
U	6 x M10	6 x M10	6 x M10	6 x M10	8 x M10	8 x M10	8 x M10

Specifications

Model		HCHSA 80	HCHSA 90	HCHSA 105	HCHSA 120	HCHSA 160	HCHSA 200	HCHSA 250
Draw bar pull in kgf	@ 25 kg/cm ²	1075	1335	1915	2575	4575	7000	10600
Max. Speed	Rpm	5500	5500	5500	5500	5000	4500	3500
Max. Operating pressure	kg/cm ²	40	40	40	40	40	40	40
Oil leakage rate	Ltrs/min	0.8	0.8	0.8	0.8	0.8	0.8	0.8
Approx. Weight	kg	8.5	8	11	13	17.5	22	32.5

Note: This oil leakage will be reached if cylinder is used at an operating pressure of 30 kg/cm² at an oil temperature of 50°C.
The information set out in this catalogue is subject to any changes made since its publication. Further changes may be made without giving any notice.