

## High Speed Hollow Center Hydraulic Cylinder



### Open Centre

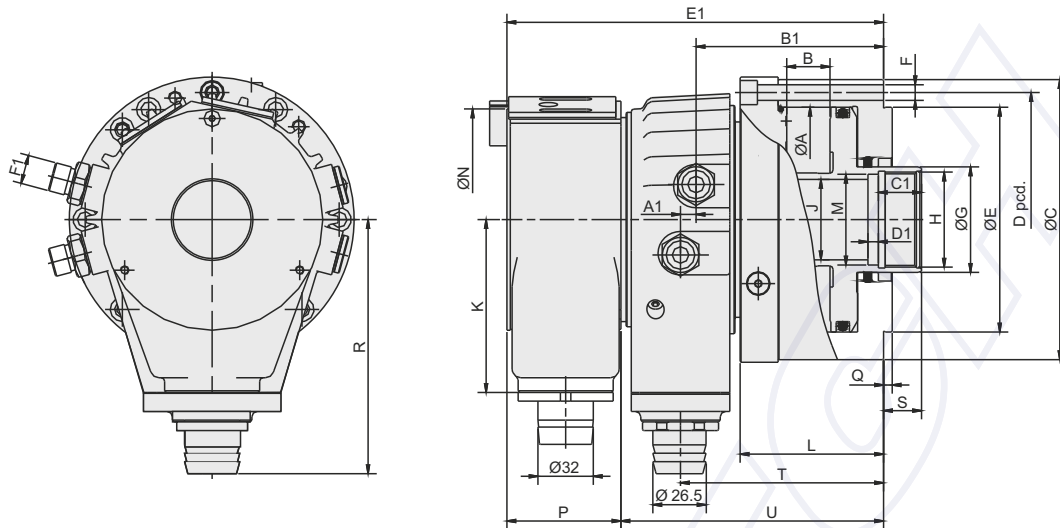
This cylinder is of an improved design and replaces previous model HOHS. Total weight and over hang have been considerably reduced by using high grade Aluminum to enable high speed application with low power consumption. In addition, the cylinder has provision for Front and Rear mounting facility.

The oil supply system in the distributor housing allows a little oil to leak out, to ensure continuous lubrication of the bearings and reducing power consumption by avoiding viscous friction. The drain nipple is located in the lower part of the casing to drain the oil that has leaked out back to the oil tank via a flexible hose.

The standard cylinder is supplied without proximity switches. However the coolant pan has provision for mounting the proximity switches.



# High Speed Hollow Center Hydraulic Cylinder



## Dimensions

MODEL	HOHSA-105	HOHSA-130	HOHSA-150	HOHSA-175	HOHSA-200	HOHSA-250
A	105	130	150	175	200	250
B	20	20	25	30	30	40
C	140	162	188	218	250	295
D (PCD.)	125	147	170	195	227	270
E (h6)	110	100	130	160	180	250
F	6xØ9	6xØ9	6xØ9	6xØ11	6xØ11	6xØ13
G	50	65	70	95	110	145
H	M42x1.5P	M55x2P	M60x2P	M85x2P	M100x2P	M138x2P
J	37	46.5	52	77	91	127
K	95	100	102	135	135	150
L	86	86	83	105	113.5	132
M (H9)	40	50	55	80	95	132
N	116	127	144	160	185	196
P	64	66	74	76	95	100
Q	5	5	5	5	5	8
R	143	149	155.5	182	195.5	200
S (Max)	22	22	22	25	30	44
S (Min)	-2	-3	-3	-5	0	4
T	120.5	120.5	120	153.5	168.5	172
U	156	155	157	201	220.5	260
A1	9	9	8.5	12	14	15
B1	111.5	111.5	115	148	155	165
C1	25	30	30	35	35	30
D1	14	15	15	15	15	6
E1	221	221	231	276	315.5	360
F1	3/8"BSP.	3/8"BSP.	3/8"BSP.	3/8"BSP.	3/8"BSP.	3/8"BSP.

## Specifications

MODEL	HOHSA-105	HOHSA-130	HOHSA-150	HOHSA-175	HOHSA-200	HOHSA-250
Piston Diameter (mm)	105	130	150	175	200	250
Through Bore(H7) (mm)	37	46.5	52	77	91	127
Piston Stroke (mm)	20	20	25	30	30	40
Max.Draw Bar Pull (kgf)(at 40bar)	2550	3900	5000	6500	8200	12400
Max.Oper. Pressure (kgf/cm2)	40	40	40	40	40	40
Max.Speed (rpm)	7500	7000	5000	4500	3500	2600
Weight (kg)	10.5	13.5	17.5	24.5	38	62
Oil Leakage Rate(L/min)	3	3	3.9	4	4.1	7

Note: This oil leakage will be reached if cylinder is used at an operating pressure of 30 kg/cm2 at an oil temperature of 50°C.  
The information set out in this catalogue is subject to any changes made since its publication. Further changes may be made without giving any notice.