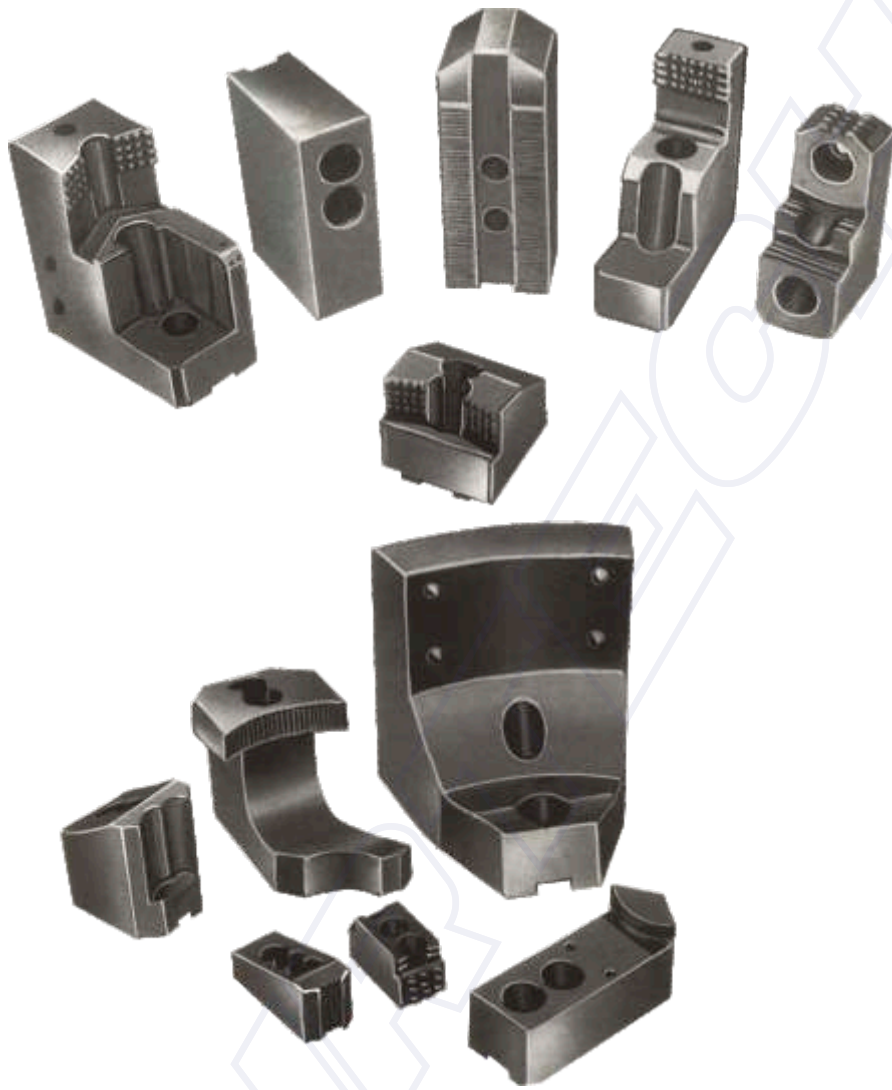


## Chuck Jaws

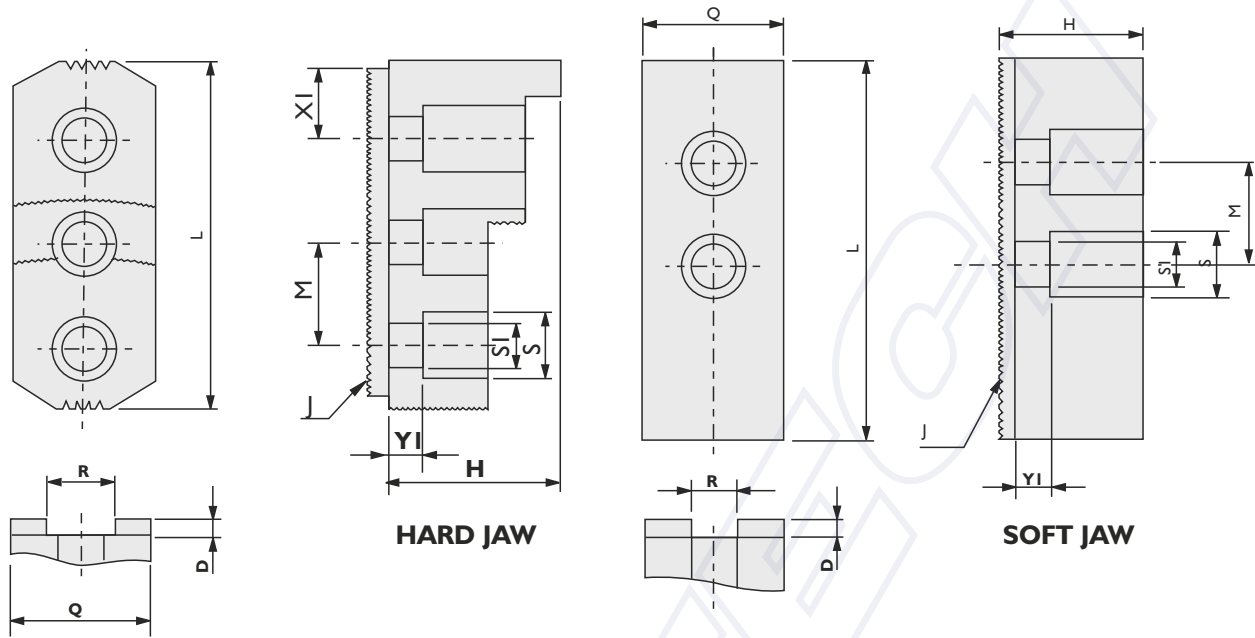
**Standard, Soft, Hard and Special**

**All the soft jaws are made of high carbon steel.**

The hard reversible jaws are made of case hardened steel. Hardened and ground, they are Provided with diamond serrations for a firm grip. The form ground serrations range from 1/16" x 90°, 3/32" x 90°, 1.5 x 60°, 2.5 x 60°, 3.0 x 60°.

Special jaws are offered to customer's specifications or to suit customer's components.

# Chuck Jaws



### Specifications - Hard Jaws

Size	110 / 125	135	160 / 165	200	250	305 / 315	380 / 400 / 450	500 / 530 / 610
Q	26	24	32	35	40	50	62	65
J x 90°	1 / 16"	1 / 16"	1 / 16"	1 / 16"	1 / 16"	1 / 16"	1 / 16"	3 / 32"
M	12	14	20	25	30	30	43	50
R (H7)	10	10	12	14	16	18	22	25
D	3.5	4	5	5	5	5	8	9
S	11	13.5	17	19	19	23	32	32
S1	6.8	8.5	11	13	13	15	21	21
L	56	57	71.5	87	100	105.7	149	162.7
H	33.5	24	40	46	49	47	72	81
X1	6	13.5	10.5	10.5	20	19	21	24
Y1	4.5	3	7	9	10	15	16	16

### Specifications - Soft Jaws

Size	110 / 125	135	160 / 165	200	250	305 / 315	380 / 400 / 450	500 / 530	610
Q	22.5	23	32	35	40	50	62	65	75
J x 90°	1 / 16"	1 / 16"	1 / 16"	1 / 16"	1 / 16"	1 / 16"	1 / 16"	3 / 32"	3 / 32"
M	12	14	20	25	30	30	43	60	60
R (H7)	10	10	12	14	16	18	24	25	25
D	3.5	4	5	5	5	5	8	9	9
S	11	14	17	19	19	23	32	32	32
S1	6.8	9	11	13	13	15	21	21	21
L	53	54	66	95	110	129	165	180	220
H	30	25	28	38	42	50	65	70	90
Y1	6.5	5	7	10	10	15	16	16	16